

# HOWARD ROTAVATOR

REGD. TRADE MARKS

## MI00 AND MI30 ROTAVATORS

for tractors between 80 and 125 h.p.

## SPARE PARTS LIST



By Appointment  
to Her Majesty the Queen  
Manufacturers of  
Agricultural Equipment  
Howard Rotavator Co., Ltd.

FROM THE WORLD'S LEADING MANUFACTURER OF ROTARY TILLAGE EQUIPMENT

**HOWARD ROTAVATOR CO. LTD., WEST HORNDON, ESSEX**

A MEMBER OF THE ROTARY HOES GROUP OF COMPANIES

Telephone: HORNDON GREEN 361

Telex: 99217

Cables: ROTAVATOR, BRENTWOOD

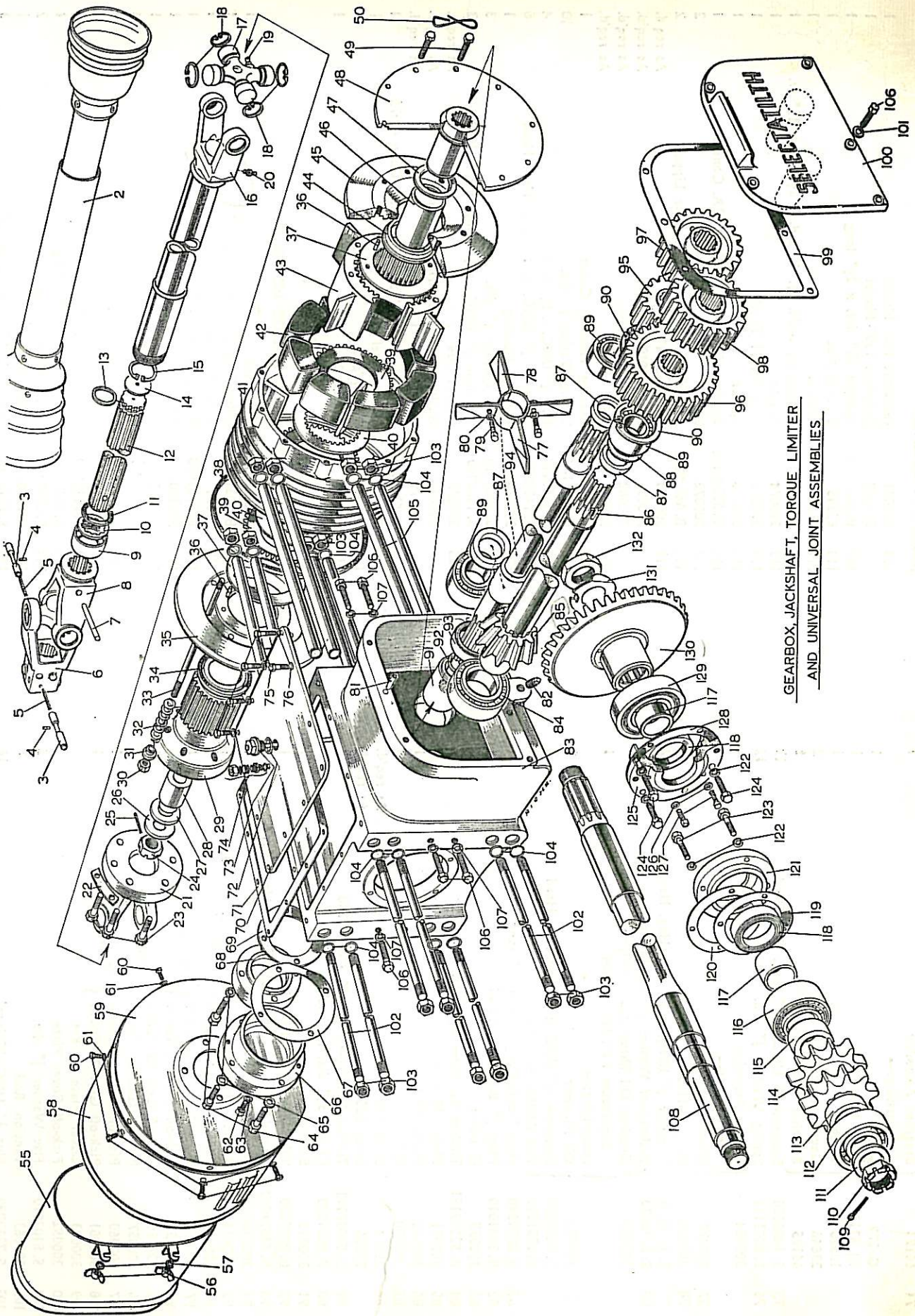
AUSTRALIA FRANCE GERMANY ITALY NEW ZEALAND S. AFRICA SPAIN U.S.A.



THE QUEEN'S AWARD  
TO INDUSTRY 1966

M100 AND M130 ROTAVATORS SPARE PARTS LIST

Illus. No.	Part	Description	No. off	No. Illus.	Part	No.	Description	No.	No. off
1	60954	Serial Number Plate—Riveted to Illus. No. 388	1			31	Special Washer	31	8
<b>QUICK HITCH UNIVERSAL JOINT ASSEMBLY</b>									
2	300009	Universal Joint Guard	1			32	Spring	32	8
3	300014	Universal Joint Assembly comprising:—	1			33	Stud	33	8
4	300350	Plunger	2			34	Felt Ring	34	1
5	B. 8009380	Mills Pin GP. 1. $\frac{1}{8}$ " dia. x $\frac{7}{8}$ " long	2			35	Pressure Plate Outer	35	1
6	67598	Spring	2			36	Mills Pin $\frac{1}{8}$ " dia. x $\frac{1}{16}$ " long, GP.2	36	4
7	300349	Quick Hitch Yoke	1			37	Spacer Ring	37	2
8	25142	Pin	1			38	Felt Ring	38	1
9	300251	Shaft Yoke	1			39	Clutch Disc $\approx 2\frac{1}{4}$ "	39	7
10	23122	Screw Cap	1			40	Friction Plate	40	6
11	23125	Special Washer	1			41	Outer Compression Ring	41	1
12	300250	Felt Washer	1			42	Rubber Block	42	8
13	300845	Shaft	1			43	Inner Compression Ring	43	1
14	300846	Collar	1			44	Bush	44	1
15	B. 8001140	Circlip $2\frac{1}{4}$ " dia. Internal	1			45	Pressure Plate Inner	45	1
16	300361	Yoke Tube	1			46	Bush—'Oilite' GH.17 or 'Compo' SN.496 $2\frac{1}{2}$ " I.d. x $2\frac{7}{8}$ " o.d. x $2\frac{1}{4}$ " long	46	1
17	23119	Spider Assembly—Hardy Spicer K.5-GB-22	1			47	Thrust Washer	47	1
18	B. 4011640	Circlip K.4-7-GB.39	2			48	Clutch Drive Plate	48	1
19	B. 4011030	Lubricator 94-GB.2204	8			49	Special Setscrew	49	10
20	B. 2030020	Grease Nipple $\frac{1}{8}$ " BSP. Straight	2			50	Locking Wire 16 SWG	50	As req'd.
21	300253	Flanged Yoke	1			51	—54 not allocated	51	
22	300017	Universal Joint Guard—Supersedes Part No. 300009	1			<b>CLUTCH GUARD ASSEMBLY</b>			
23	300016	Universal Joint Assembly—Supersedes Part No. 300014 comprising:—	1			55	Shroud	55	1
24	300350	Plunger	2			56	Wing Nut $\frac{3}{8}$ " UNF.	56	4
25	B. 8009380	Mills Pin GP.1 $\frac{1}{8}$ " dia. x $\frac{7}{8}$ " long	2			57	Spring Washer $\frac{3}{8}$ " dia.	57	4
26	67598	Spring	2			58	Guard	58	1
27	300349	Quick Hitch Yoke	1			59	Rear Cover	59	1
28	300507	Yoke and Square Shaft	1			60	Setcrew $\frac{1}{8}$ " UNC. x $\frac{1}{2}$ " long, Hex. Head	60	6
29	300510	Ball Slip Yoke and Tube	1			61	Spring Washer $\frac{1}{8}$ " dia.	61	6
30	23119	Spider Assembly K.5-GB-22	2			<b>GEARBOX ASSEMBLY</b>			
31	B. 4011640	Circlip K.4-7-GB-39	8			62	Setscrew $\frac{3}{8}$ " UNC. x $\frac{1}{2}$ " long, Hex. Head	62	3
32	B. 4011030	Lubricator 94-GB-2204	2			63	Flat Washer $\frac{3}{8}$ " dia.	63	3
33	300253	Flanged Yoke	1			64	Bolt $\frac{1}{2}$ " UNC. x $1\frac{1}{2}$ " long	64	8
34	300435	Tab Washer	3			65	Shakeproof Washer $\frac{1}{2}$ " dia.	65	8
35	S. 1410120	Setscrew $\frac{5}{8}$ " UNC. x $1\frac{1}{2}$ " long, Hex. Head	6			66	Pinion Bearing Housing	66	1
36	300185	Special Nut—L.H. Thread	1			67	Gasket .004"	67	As req'd.
37	B. 8010230	Splitpin $\frac{1}{8}$ " dia. $1\frac{1}{2}$ " long	1			68	Gasket .020"	68	As req'd.
38	300184	Washer	1			69	Oilseal Housing	69	As req'd.
39	B. 51425021	Thrust Washer—'Oilite' WBS. 119 $1\frac{1}{2}$ " x $2\frac{1}{2}$ " x $\frac{3}{16}$ "	1			70	Gasket .004"	70	As req'd.
40	300183	Spacer	1			71	Gasket .010"	71	As req'd.
41	300164	Clutch Centre	1			72	Pinion Shaft	72	As req'd.
42	B. 8013090	Dowel Pin $\frac{1}{2}$ " dia. x $1\frac{1}{2}$ " long	2			73	Gasket .020"	73	As req'd.
43	106130	Locknut $\frac{1}{2}$ " UNF. Philidas	8				Drive Shaft		
							Gearbox Cover		
							Gearbox Cover Gasket		
							Bonded Seal 1" B.S.P. Dowty type PP.45 H.		
							Di-n-tick		



GEARBOX, JACKSHAFT, TORQUE LIMITER  
AND UNIVERSAL JOINT ASSEMBLIES

Illus. No.	Part No.	Description	No. off	Illus. No.	Part No.	Description	No. off
74	66193	Breather Assembly comprising:—	1	108	301021	Jackshaft 100" Model	1
	G. 279	Nut	1		300068	Jackshaft 130" Model	1
	BJ. 8312	Brass Union	1	109	B. 8010390	Splitpin $\frac{3}{32}$ " dia. x $2\frac{1}{2}$ " long	1
	10580	Washer	1	110	65345	Slotted Nut	1
	23646	Gauze Filter	2	111	65344	Washer	1
	66195	Breather Pad	1	112	B. 52250121	Ballbearing BRM. $2\frac{1}{2}$ . 5" o.d. x $2\frac{1}{4}$ " i.d. x $1\frac{1}{4}$ " w.	1
75	S. 1406080	Setscrew $\frac{1}{4}$ " UNC. x 1" long, Hex. Head	12	113	300074	Spacer	1
76	S. 8061140	Spring Washer $\frac{3}{8}$ " dia.	12	114	300075	Sprocket 11 Tooth	1
	300424	Flinger Assembly comprising:—	1	115	300073	Spacer	1
	300427	Flinger—Plain	1	116	B. 52549151	Bearing—Timken 'TS'—Cup 552A, Cone 559	1
	300425	Flinger—Nut	1	117	300072	Sleeve	2
	S. 1404040	Setscrew $\frac{1}{4}$ " UNC. x $\frac{1}{2}$ " long, Hex. Head	2	118	B. 64029062	Oilseal 13 P./400.287.62 Double Lipped	2
	S. 8040830	Shakeproof Washer $\frac{1}{4}$ " dia. Internal	2	119	300080	Gasket .004"	As req'd.
	300529	Gearbox Oil Thrower Assembly—Supersedes Part No. 300424	2		300081	Gasket .010"	As req'd.
		comprising:—	1		300082	Gasket .020"	As req'd.
	300530	Oil Thrower	1	120	300083	Shim	1
	S. 1405050	Setscrew $\frac{5}{16}$ " UNC. x $\frac{3}{8}$ " long, Hex. Head	2	121	300071	Bearing Housing Cover	10
	S. 8051010	Flat Washer $\frac{5}{16}$ " dia.	2	122	S. 8061140	Spring Washer $\frac{3}{8}$ " dia.	4
	B. 8009340	Mills Pin G.P.3 $\frac{1}{4}$ " dia. x $1\frac{1}{4}$ " long	2	123	S. 1206110	Bolt $\frac{3}{8}$ " UNC. x $1\frac{1}{8}$ " long	6
81	B. 3031010	Plug $\frac{1}{4}$ " B.S.P. Sq. Head	1	124	S. 1406080	Setscrew $\frac{3}{8}$ " UNC. x 1" long, Hex. Head	1
82	B. 3031010	Plug $\frac{1}{4}$ " B.S.P. Sq. Head	1	125	300070	Bearing Housing	3
83	300035	Gearbox	1	126	S. 8061210	Flat Washer $\frac{3}{8}$ " dia.	3
84	B. 52549151	Timken Bearing—Cup 552A, Cone 559	1	127	S. 1406040	Setscrew $\frac{3}{8}$ " UNC. x $\frac{1}{2}$ " long, Hex. Head	3
85	300431	Pinion Shaft	1		300078	Gasket .010" } Crownwheel End	As req'd.
86	300432	Collar	1		300079	Gasket .020" }	As req'd.
87	300038	Shim .015"	3	129	B. 53759111	Bearing—Timken 'TS'—Cup 42584, Cone 42375	1
88	25058	Shim .005"	3	130	300430	Crownwheel 43T	1
89	B. 52037121	Timken Bearing—Cup 3720, Cone 3780	As req'd.	131	300076	Tab Washer	1
90	B. 8001200	Circlip $\frac{3}{4}$ " dia. Internal	As req'd.	132	33690	Special Nut	1
91	300040	Spacer	2				
92	B. 2025020	'O' Ring—Dowry PP.49/23	1				
93	B. 63527062	Oilseal—Pioneer 13P./35027562 Double Lipped	1				
94	300039	Drive Shaft	1				
95	300434	Pick-off Gear 22 Tooth	1	133	300196	Chaincase	1
96	300433	Pick-off Gear 27 Tooth	1	134	B. 3031020	Filler Plug $\frac{1}{4}$ " BSP. Sq. Head	1
97	300058	Pick-off Gear 28 Tooth	1	135	53654	Breather Plug	1
98	300059	Pick-off Gear 21 Tooth	1	136	B. 3031050	Plug $\frac{1}{4}$ " BSP. Sq. Head	1
99	300056	Pick-off Gear 23 Tooth	1	137	300470	Chain Skid Moulding	1
96	300057	Pick-off Gear 26 Tooth	1	138	300471	Lock Tab	1
97	300060	Pick-off Gear 25 Tooth	1	139	S. 8040840	Spring Washer $\frac{1}{4}$ " dia.	4
98	300061	Pick-off Gear 24 Tooth	1	140	S. 7204010	Nut $\frac{1}{4}$ " UNC.	4
99	300053	Cover Plate Gasket	1	141	300212	Adjusting Screw	1
100	300052	Pick-off Cover Plate	1	142	S. 7212020	Locknut $\frac{3}{4}$ " UNC.	1
101	S. 8102010	Flat Washer $\frac{3}{8}$ " dia.	5	143	S. 1210500	Bolt $\frac{3}{8}$ " UNC. x $6\frac{1}{4}$ " long	1
102	300063	Tension Rod	8	144	S. 8102010	Flat Washer $\frac{3}{8}$ " dia.	2
103	S. 7212090	Nut $\frac{1}{4}$ " UNC. 'Gripco'	16	145	300208	Chain Skid	1
104	B. 2023290	'O' Ring— $\frac{7}{8}$ " i.d. x $1\frac{1}{8}$ " o.d. x .139"	16	146	S. 7210130	Nut $\frac{3}{8}$ " UNC. Phillidas QUCP.	1
105	300062	Tension Bolt Tube	8	147	300203	Bearing Carrier	1
106	S. 1410110	Setscrew $\frac{3}{8}$ " UNC. x $1\frac{1}{8}$ " long, Hex. Head	13	148	1210460	Bolt $\frac{3}{8}$ " UNC. x $5\frac{1}{4}$ " long	1
107	8101740	Spring Washer $\frac{3}{8}$ " dia.	8	149	300225	Bearing Carrier Spacer	1
				150	S. 7210020	Locknut $\frac{3}{8}$ " UNC.	1

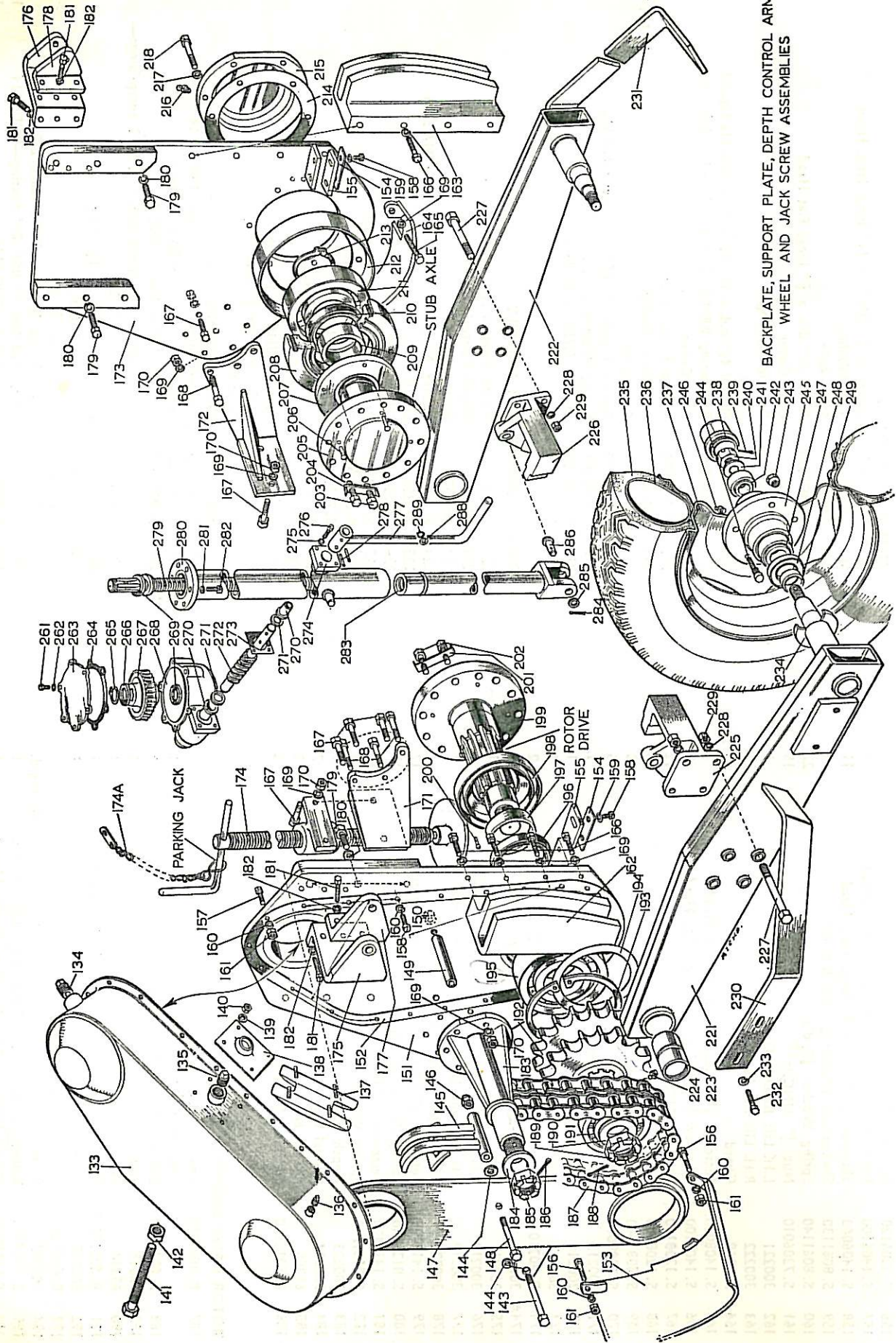
**BACKPLATE AND SUPPORT PLATE ASSEMBLY**

133	300196	Chaincase	1
134	B. 3031020	Filler Plug $\frac{1}{4}$ " BSP. Sq. Head	1
135	53654	Breather Plug	1
136	B. 3031050	Plug $\frac{1}{4}$ " BSP. Sq. Head	1
137	300470	Chain Skid Moulding	1
138	300471	Lock Tab	1
139	S. 8040840	Spring Washer $\frac{1}{4}$ " dia.	4
140	S. 7204010	Nut $\frac{1}{4}$ " UNC.	4
141	300212	Adjusting Screw	1
142	S. 7212020	Locknut $\frac{3}{4}$ " UNC.	1
143	S. 1210500	Bolt $\frac{3}{8}$ " UNC. x $6\frac{1}{4}$ " long	1
144	S. 8102010	Flat Washer $\frac{3}{8}$ " dia.	2
145	300208	Chain Skid	1
146	S. 7210130	Nut $\frac{3}{8}$ " UNC. Phillidas QUCP.	1
147	300203	Bearing Carrier	1
148	1210460	Bolt $\frac{3}{8}$ " UNC. x $5\frac{1}{4}$ " long	1
149	300225	Bearing Carrier Spacer	1
150	S. 7210020	Locknut $\frac{3}{8}$ " UNC.	1

*Handwritten:* 301007  
157

Illus. No.	Part No.	Description	No. off	Illus. No.	Part No.	Description	No. off
151	300188	Backplate	1	199	300094	Rotor Drive Shaft	1
152	300195	Gasket	1	200	B. 8020050	Rivet $\frac{3}{8}$ " dia. x $\frac{7}{8}$ " long, Flat Head	4
153	300200	Chaincase Guard	1	201	300091	Tab Washer	6
154	5807	Backing Strip	2	202	S. 1410100	Setscrew $\frac{3}{8}$ " UNC. x $1\frac{1}{4}$ " long, Hex. Head	12
155	300227	Cutting Blade	2	<b>STUB AXLE ASSEMBLY</b>			
156	S. 1206120	Bolt $\frac{3}{8}$ " UNC. x $1\frac{1}{2}$ " long	2	203	S. 1410110	Setscrew $\frac{3}{8}$ " UNC. x $1\frac{1}{4}$ " long, Hex. Head	12
157	S. 1406100	Setscrew $\frac{3}{8}$ " UNC. x $1\frac{1}{4}$ " long, Hex. Head	13	204	300091	Tab Washer	6
158	S. 1406060	Setscrew $\frac{3}{8}$ " UNC. x $\frac{3}{4}$ " long, Hex. Head	11	205	300084	Stub Axle	1
159	S. 8061130	Shakeproof Washer $\frac{3}{8}$ " dia. Internal	4	206	B. 8020050	Rivet $\frac{3}{8}$ " dia. x $\frac{7}{8}$ " long, Flat Head	4
160	S. 8061140	Spring Washer $\frac{3}{8}$ " dia.	22	207	300085	Dust Cover	1
161	S. 7206010	Nut $\frac{3}{8}$ " UNC.	15	208	300087	Bearing Housing	1
162	300221	L.H. Lift Bracket Guide	1	209	300096	Sleeve	1
163	300222	R.H. Lift Bracket Guide	1	210	B. 64737052	Oilseal $4\frac{1}{4}$ " o.d. x $3\frac{1}{4}$ " i.d. x $\frac{1}{2}$ " w. Double Lipped	1
164	300268	Guard	1	211	B. 53070161	Ballbearing BRM.3. 7" o.d. x 3" i.d. x $1\frac{1}{8}$ " w.	1
165	S. 1408080	Setscrew $\frac{1}{2}$ " UNC. x $1\frac{1}{2}$ " long, Hex. Head	2	212	300088	Dust Cover	1
166	S. 1408140	Setscrew $\frac{1}{2}$ " UNC. x $1\frac{1}{4}$ " long, Hex. Head	8	213	B. 8002190	Circlip 3" dia. External	1
167	S. 1208140	Bolt $\frac{1}{2}$ " UNC. x $2\frac{1}{4}$ " long	12	214	300090	End Cover Gasket	1
168	S. 1208180	Bolt $\frac{1}{2}$ " UNC. x $2\frac{1}{4}$ " long	6	215	300089	End Cover	1
169	S. 8081440	Spring Washer $\frac{1}{2}$ " dia.	28	216	B. 2030020	Grease Nipple $\frac{1}{8}$ " BSP. Tecalemit NA.5704	1
170	S. 7208010	Nut $\frac{1}{2}$ " UNC.	16	217	S. 8061140	Spring Washer $\frac{3}{8}$ " dia.	1
171	300213	L.H. Jack Mounting	1	218	S. 1206160	Bolt $\frac{3}{8}$ " UNC. x 2" long	6
172	300216	R.H. Jack Mounting	1	219	— 220	not allocated	6
173	300242	Support Plate	1	<b>DEPTH CONTROL ARM ASSEMBLY</b>			
174	B. 9021010	Parking Jack—Metallifacure P.J.2	2	221	300266	Depth Control Arm L.H.	1
174A	300439	Handle Securing Chain Assembly	2	222	300265	Depth Control Arm R.H.	2
175	300217	L.H. Support Bracket	1	223	300267	Bush	2
176	300218	R.H. Support Bracket	1	224	B. 2030020	Grease Nipple $\frac{1}{8}$ " BSP. Tecalemit NA.5704	1
177	300219	L.H. Support Lug	1	225	300259	Lift Bracket L.H.	1
178	300220	R.H. Support Lug	1	226	300258	Lift Bracket R.H.	1
179	S. 1412120	Setscrew $\frac{3}{4}$ " UNC. x $1\frac{1}{2}$ " long, Hex. Head	12	227	S. 1210300	Bolt $\frac{3}{8}$ " UNC. x $3\frac{1}{2}$ " long	8
180	S. 8122040	Spring Washer $\frac{3}{8}$ " dia.	12	228	S. 8101740	Spring Washer $\frac{3}{8}$ " dia.	8
181	S. 1410120	Setscrew $\frac{3}{8}$ " UNC. x $1\frac{1}{2}$ " long, Hex. Head	12	229	S. 7210010	Nut $\frac{3}{8}$ " UNC.	8
182	S. 8101740	Spring Washer $\frac{3}{8}$ " dia.	2	230	300264	Wheel Scraper L.H.	1
183	300223	Depth Control Pivot	2	231	300263	Wheel Scraper R.H.	1
184	300224	Special Nut	2	232	S. 1408080	Bolt $\frac{1}{2}$ " UNC. x 1" long	4
185	65255	Special Nut	2	233	S. 8081440	Spring Washer $\frac{1}{2}$ " dia.	4
186	B. 8010350	Splitpin $\frac{3}{8}$ " dia. x $2\frac{1}{2}$ " long	2	234	300276	Dust Cover	2

Illus. No.	Part No.	Description	No. off	Illus. No.	Part No.	Description	No. off
187	B. 4001010	Chain—Renold Duplex $1\frac{1}{2}$ " Pitch—42 Links including Connecting Link	1	235	B. 9001110	Tyre—Dunlop Weathermaster 7.00 x 14	2
188	B. 8010390	Splitpin $\frac{3}{8}$ " dia. x $2\frac{1}{2}$ " long	1	236	B. 9001120	Inner Tube—to suit 7.00 x 14 Tyre	2
189	65345	Slotted Nut	1	237	B. 9001100	Ventilated Disc Wheel ENC.5115	2
190	65344	Washer	1	300274	Hub Assembly—Connolly Ref. ENB.5112 comprising:—	2	
191	B. 52555121	Ballbearing BRM. 2 $\frac{1}{2}$ . 5 $\frac{1}{2}$ " o.d. x 2 $\frac{1}{2}$ " i.d. x $1\frac{1}{2}$ " w.	1	238	B. 9001050	Hub Cap ENC.3288	2
192	300095	Rotor Sprocket	1	239	B. 8010330	Splitpin $\frac{3}{8}$ " dia. x $1\frac{1}{2}$ " long	2
193	B. 8001290	Circlip 7 $\frac{1}{2}$ " dia. Internal	1	240	S. 7514050	Axle Nut $\frac{7}{8}$ " BSF.	2
194	300097	Shim	1	241	S. 8142610	Axle Washer $\frac{7}{8}$ " dia.	2
195	B. 53275161	Ballbearing BRM. 3 $\frac{1}{2}$ . 7 $\frac{1}{2}$ " o.d. x 3 $\frac{1}{2}$ " i.d. x $1\frac{1}{8}$ " w.	1	242	B. 51020071	Taper Roller Bearing—SKF.07100/07210X—2801	2
196	B. 64737052	Oilseal 4 $\frac{1}{2}$ " o.d. x 3 $\frac{3}{4}$ " i.d. x $\frac{1}{2}$ " w. Double Lipped	1	243	B. 9001080	Chamfered Nut $\frac{1}{2}$ " BSF. 80° Seating—END.5114	10
197	300096	Sleeve	1	244	B. 9001090	Stud $\frac{1}{2}$ " BSF.—END.5113	10
198	300085	Dust Cover	1	245	S. 7507020	Locknut $\frac{3}{8}$ " BSF.—141	10
					B. 9001070	Hub—ENC.3837	2



BACKPLATE, SUPPORT PLATE, DEPTH CONTROL ARM,  
 WHEEL AND JACK SCREW ASSEMBLIES

Illus. No.	Part No.	Description	No. off
246	B. 2030020	Grease Nipple $\frac{1}{8}$ " BSP. Straight—Tecalmit NA.5704	2
247	B. 51527065	Taper Roller Bearing—SKF.19150/19268—2803	2
248	B. 62817022	Oilseal—Superfect G.281120—1214	2
249	300412	Abutment Ring	2
250	—260	not allocated	

#### DEPTH CONTROL JACK SCREW ASSEMBLY

261	S. 1405050	Setscrew $\frac{1}{8}$ " UNC. x $\frac{1}{2}$ " long. Hex. Head	12
262	S. 8050940	Spring Washer $\frac{1}{8}$ " dia.	12
263	300322	Cover Plate	2
264	300325	Gasket	2
265	B. 8002060	Circlip 1" dia. External	2
266	300320	Special Washer	2
267	300316	Worm Wheel	2
268	300312	Worm Housing	2
269	300321	Thrust Washer	4
270	16728	Bush	4
271	300319	Special Washer	4
272	300317	Worm Shaft	2
273	300324	Gasket	As req'd.
274	300318	End Cover	2
275	S. 8040840	Spring Washer $\frac{1}{4}$ " dia.	8
276	S. 1404070	Setscrew $\frac{1}{4}$ " UNC. x $\frac{1}{2}$ " long. Hex. Head	8
277	62495	Handle	2
278	B. 8012070	Tension Pin $\frac{1}{4}$ " dia. x $1\frac{1}{2}$ " long	4
279	300315	Screw	2
280	300358	Outer Tube	2
281	S. 8061140	Spring Washer $\frac{1}{4}$ " dia.	12
282	S. 1406080	Setscrew $\frac{3}{8}$ " UNC. x 1" long. Hex. Head	12
283	300356	Screw Tube	2
284	B. 8010330	Splitpin $\frac{1}{8}$ " dia. x $1\frac{1}{2}$ " long	2
285	S. 8163010	Flat Washer 1" dia.	2
286	300357	Clevis Pin	2
287	—300	not allocated	

Illus. No.	Part No.	Description	No. off
315	B. 2017050	Clevis—IC1833	2
316	B. 2017030	Clevis Pin—IC0393	2
317	B. 2017120	Clip—IA0122	2
318	B. 2017060	Collar—IC0253	2
319	B. 2017070	Collar, Outside Stop—IC0262	2
320	B. 2017130	Retaining Ring—IA0404	2
321	B. 2021530	Hose—Imperial Eastman—D7.EA.06/06NJ. x 06NJ—18	4
322	B. 2057140	45° Elbow—Imperial Eastman—Ref. 854—FS.06 x 06	2
323	B. 2056120	90° Elbow—Imperial Eastman—Ref. 849—FS.06 x 06	2
324	300379	L.H. Support Bracket	1
325	300381	L.H. Support Lug	1
326	300380	R.H. Support Bracket	1
327	300382	R.H. Support Lug	1
328	—338	not allocated	

#### HYDRAULIC PIPING ASSEMBLY

339	300366	Wing Line L.H.—130" Model	2
	301049	Wing Line L.H.—100" Model	2
340	300370	Wing Line R.H.—130" Model	2
	301050	Wing Line R.H.—100" Model	2
341	B. 2041130	Locknut $\frac{3}{8}$ " UNF. Imp. Eastman 711. F50.3/8	11
342	B. 2051010	Bulk Head Union. Imp. Eastman 832. F5.06	7

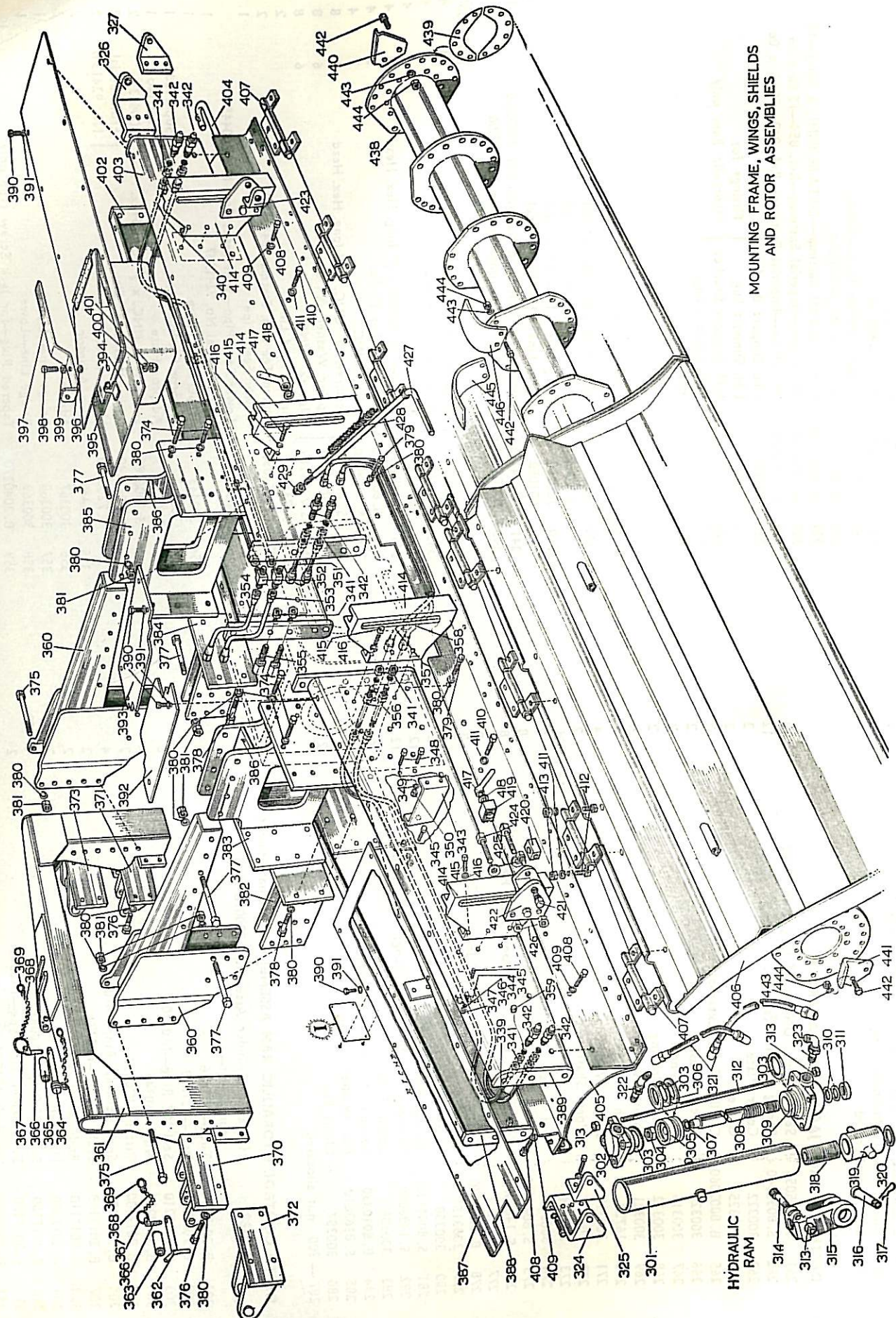
#### Clip Assembly comprising:—

343	300477	Pipe Support Bracket	3
344	300478	Clip	4
345	S. 1404070	Setscrew $\frac{1}{4}$ " UNC. x $\frac{1}{2}$ " long. Hex. Head	4
346	S. 8040840	Spring Washer $\frac{1}{4}$ " dia.	4
347	S. 7204010	Nut $\frac{1}{4}$ " UNC.	4
348	S. 1405070	Setscrew $\frac{1}{8}$ " UNC. x $\frac{1}{2}$ " long. Hex. Head	6
349	S. 8050940	Spring Washer $\frac{1}{8}$ " dia.	8
350	S. 7205010	Nut $\frac{3}{8}$ " UNC.	6
351	300373	Bridge Feed Line	2
352	B. 2054050	Union Tee Imp. Eastman 844 FS.06	2
353	300445	Lower Feed Pipe	1
	300519	Lower Feed Pipe—Supersedes Part No. 300445	
		From Serial No. 9241347	
354	300443	Upper Feed Pipe	1
	300445	Adaptor Feed Line	1
	300526	Adaptor Plate	1
	S. 1406080	Setscrew $\frac{3}{8}$ " UNC. x $\frac{1}{2}$ " long. Hex. Head	2
	S. 8061140	Spring Washer $\frac{3}{8}$ " dia.	2
	S. 7206010	Nut $\frac{3}{8}$ " UNC.	2
355	300449	Inlet Adaptor	2
356	300367	Adaptor	2
357	300368	Bridge Line—Upper	2
358	300369	Bridge Line—Lower	1
359	B. 2040270	Tapered Plug—for Jack Screw type only	10
	B. 2040280	Redcap A.Q. 330/16	2
	B. 2040040	Redcap A.Q. 270/6	4
	B. 2040420	Redcap A.Q. 290/5	2

#### DEPTH CONTROL HYDRAULIC RAM ASSEMBLY—Optional fitment

300488	Hydraulic Cylinder Assembly—220090 DAD	2	
	comprising:—		
301	B. 2017090	Tube—IC1836	2
302	B. 2017040	Base—IC1838	2
303	B. 2017210	Seal 'O' Ring—IA0110	6
304	B. 2017200	Nut—IA0143	2
305	B. 2017100	Piston—IC0567	2
306	B. 2017190	Seal, Back-up Ring—IA0111	4
307	B. 2017140	Seal, Gasket—IA0224	2
308	B. 2017110	Rod—IC1835	2
309	B. 2017080	Head—IC0569	2
310	B. 2017180	Seal 'O' Ring—IA0087	2
311	B. 2017170	Seal, Wiper Lip Type—IA0014	4
312	B. 2017020	Tie Rod—IC1834	8
313	B. 2017150	Nut—IA0022	18
314	B. 2017160	Cap Screw—IA0021	2

Supersede Part No. 300443 From Serial No. 9241347



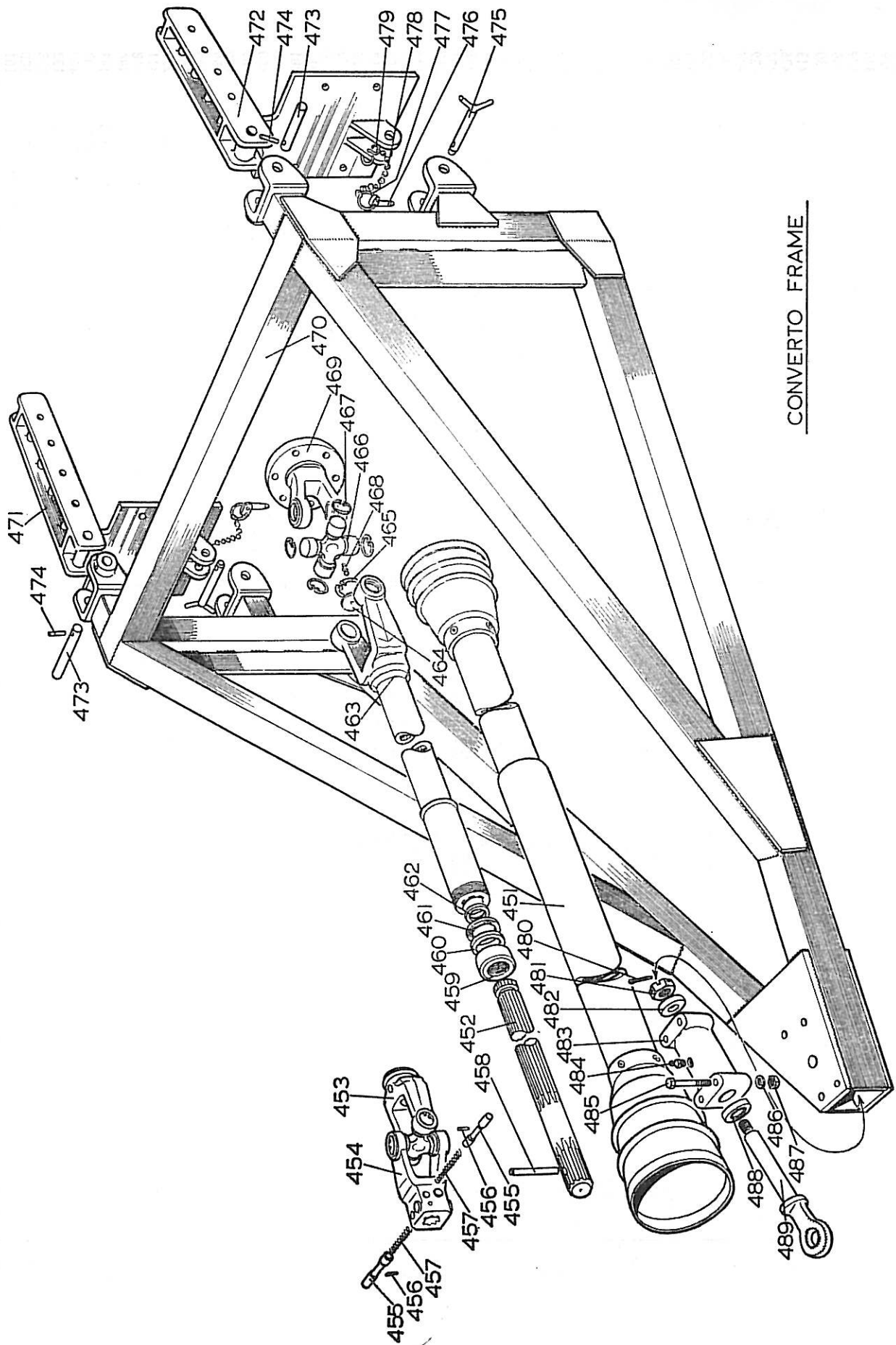
MOUNTING FRAME, WINGS, SHIELDS  
AND ROTOR ASSEMBLIES

HYDRAULIC  
RAM



Illus. No.	Part No.	Description	No. off	Illus. No.	Part No.	Description	No. off
<b>HYDRAULIC PIPING ASSEMBLY—</b>							
required when Flow Divider is fitted—American Machines only							
B. 2004010		Flow Divider—Gear type	1	374	S. 1410100	Setscrew $\frac{3}{8}$ " UNC. x $1\frac{1}{4}$ " long, Hex. Head	8
B. 2063040		Male Connector—Imperial Eastman 848-FSO-06 x 08	2	375	S. 1210460	Bolt $\frac{3}{8}$ " UNC. x $5\frac{1}{2}$ " long	10
B. 2064040		Adaptor—Imperial Eastman 720-FSO- $\frac{1}{2}$ " x $\frac{1}{2}$ "	1	376	S. 1410140	Setscrew $\frac{5}{8}$ " UNC. x $1\frac{1}{2}$ " long, Hex. Head	8
			Supplied and fitted in America	377	S. 1210380	Bolt $\frac{5}{8}$ " UNC. x $4\frac{1}{2}$ " long	20
S. 1406060		Setscrew $\frac{3}{8}$ " UNC. x $\frac{1}{2}$ " long, Hex. Head	2	378	S. 1210160	Bolt $\frac{3}{8}$ " UNC. x $2\frac{1}{2}$ " long	8
S. 8061140		Spring Washer $\frac{3}{8}$ " dia.	2	379	S. 1410140	Setscrew $\frac{5}{8}$ " UNC. x $1\frac{1}{2}$ " long, Hex. Head	8
339 300366		Wing Line L.H.—130" Model	2	380	S. 8101740	Spring Washer $\frac{5}{8}$ " dia.	62
340 301049		Wing Line L.H.—100" Model	2	381	S. 7210010	Nut $\frac{3}{8}$ " UNC.	30
340 300370		Wing Line R.H.—130" Model	2	382	300233	L.H. Lower Mounting Bracket	1
340 301050		Wing Line R.H.—100" Model	2	383	300232	L.H. Mounting Bracket	1
340 300515		Upper Wing Line R.H.—130" Model	2	384	300493	L.H. Mounting Bracket—Supersedes Part No. 300232 from Serial No. 9241347	1
340 301046		Upper Wing Line R.H.—100" Model	2	385	300114	R.H. Lower Mounting Bracket	1
341 B. 2041130		Locknut $\frac{3}{8}$ " UNF. Imperial Eastman 711-FSO- $\frac{3}{8}$ "	9	386	300128	R.H. Mounting Bracket	1
342 B. 2051050		Bulk Head Union—Imperial Eastman 832-FS.06	6	387	300234	R.H. Mounting Bracket—Supersedes Part No. 300114 from Serial No. 9241347	2
			100" 130"	388	301036	Plate	1
343 300477		Clip Assembly comprising:—	3	388	300230	L.H. Wing Top Plate—130" Model	1
344 300478		Pipe Support Bracket	3	389	301032	L.H. Wing Top Plate—100" Model	1
344 300479		Clip	3	390	300231	L.H. Front Wing—130" Model	1
345 S. 1404070		Setscrew $\frac{1}{2}$ " UNC. x $\frac{7}{8}$ " long, Hex. Head	3	390	301034	L.H. Front Wing—100" Model	1
346 S. 8040840		Spring Washer $\frac{1}{2}$ " dia.	3	391	S. 1405060	L.H. Rear Wing—130" Model	1
347 S. 7204010		Nut $\frac{1}{2}$ " UNC.	3	391	S. 8050940	L.H. Rear Wing—100" Model	1
348 S. 1405070		Setscrew $\frac{5}{8}$ " UNC. x $\frac{7}{8}$ " long, Hex. Head	6	392	S. 8050940	Setscrew $\frac{5}{8}$ " UNC. x $\frac{7}{8}$ " long, Hex. Head	34
349 S. 8050940		Spring Washer $\frac{5}{8}$ " dia.	6	393	300235	Setscrew $\frac{5}{8}$ " UNC. x $\frac{7}{8}$ " long, Hex. Head	28
350 S. 7205010		Nut $\frac{5}{8}$ " UNC.	6	394	300118	Spring Washer $\frac{5}{8}$ " dia.	34
351 300373		Bridge Feed Line	1	395	300138	Spring Washer $\frac{5}{8}$ " dia.	28
352 B. 2054050		Union Tee—Imperial Eastman 844-FS-06	1	396	G. 316	L.H. Wing Filler Plate	1
353 300519		Lower Feed Pipe	1	397	300139	R.H. Wing Filler Plate	1
354 300517		Upper Feed Pipe	1	398	300116	R.H. Wing Top Plate Assembly 130" Model	1
355 300449		Inlet Adaptor	1	399	301044	R.H. Wing Top Plate Assembly 100" Model	1
356 300367		Adaptor	2	Comprising:—			
357 300368		Bridge Line Upper	1	394	300132	Wing Top Plate 130" Model	1
358 300369		Bridge Line Lower	1	395	300142	Wing Top Plate 100" Model	1
<b>MOUNTING FRAME AND WING ASSEMBLIES</b>							
360 300156		Mounting Arm	2	396	300138	Tool Box Seal	1
361 300283		Mounting Frame	1	397	G. 316	Spacer	1
362 300299		Mounting Pin	2	397	300139	Handle	1
363 300303		Sleeve for category 2 and 3 tractors	2	398	S. 1406100	Setscrew $\frac{3}{8}$ " UNC. x $1\frac{1}{4}$ " long, Hex. Head	1
364 300301		Draw Pin	1	399	S. 8061210	Flat Washer $\frac{3}{8}$ " dia.	1
365 300302		Sleeve for category 2 and 3 tractors	3	400	S. 8061150	Spring Washer $\frac{1}{2}$ " dia.	1
366 50934		Clip Pin	3	401	S. 7206030	Phillidas Nut $\frac{3}{8}$ " UNC. JUC1/1	1
367 60495		Clip Ring	3	402	300441	R.H. Front Wing—130" Model	1
368 3913		Chain	4	301053	R.H. Front Wing—100" Model	R.H. Front Wing—130" Model—Supersedes Part No. 300441 from Serial No. 9241347	1
369 300310		Hook	5	30521	301053	R.H. Front Wing—100" Model—Supersedes Part No. 300441 from Serial No. 9241347	1
370 300295		L.H. Clevis	1	403	300113	R.H. Front Wing—100" Model—Supersedes Part No. 301053 from Serial No. 9241347	1
371 300294		R.H. Clevis	1	404	301037	R.H. Rear Wing—130" Model	1
372 300305		Quick Hitch Mounting Plate L.H.	1	404	300348	R.H. Rear Wing—100" Model	1
373 300304		Quick Hitch Mounting Plate R.H.	1	Blade Setting Bar			
<b>SHIELD AND TRAILING BOARD ASSEMBLY</b>							
				405	300450	Shield—130" Model	1

Illus. No.	Part No.	Description	No. off	Illus. No.	Part No.	Description	No. off
406	301055	Shield—100" Model	1	451	300802	Universal Joint Guard	1
	300105	Trailing Board—130" Model	2	300801	Quick Hitch Universal Joint Assembly		1
	301028	Trailing Board—100" Model	2		comprising:—		
407	50724	Hinge	100" 130"	452	300811	Shaft	1
408	S. 1410100	Setscrew $\frac{5}{8}$ " UNC. x $1\frac{1}{4}$ " long, Hex. Head	6	453	300810	Shaft Yoke	1
409	S. 8101740	Spring Washer $\frac{5}{8}$ " dia.	8	454	300349	Quick Hitch Yoke	1
410	S. 1408100	Setscrew $\frac{1}{2}$ " UNC. x $1\frac{1}{4}$ " long, Hex. Head	8	455	300350	Plunger	1
411	S. 8081440	Spring Washer $\frac{1}{2}$ " dia.	10	456	B. 8009380	Mills Pin GP.1. $\frac{3}{8}$ " dia. x $\frac{7}{8}$ " long	2
412	S. 1308100	Setscrew $\frac{1}{2}$ " UNF. x $1\frac{1}{4}$ " long, Hex. Head	34	457	67598	Spring	2
413	S. 1308120	Setscrew $\frac{1}{2}$ " UNF. x $1\frac{1}{4}$ " long, Hex. Head	12	458	25142	Pin	2
	S. 7108010	Nut $\frac{1}{2}$ " UNF.	12	459	23122	Screw Cap	1
			24	460	23125	Special Washer	1
				461	23124	Felt Washer	1
				462	300845	Split Collar	1
				463	300807	Yoke Tube	1
				464	300846	Disc	1
				465	B. 8001140	Circlip $2\frac{1}{4}$ " dia. Internal	1
				466	23119	Spider Assembly—Hardy Spicer K.5.GB.22	1
				467	B. 4011640	Circlip K.4-7.GB.39	2
				468	B. 4011030	Lubricator 94-GB.2204	8
				469	300253	Flanged Yoke	2
					B. 2030020	Grease Nipple $\frac{1}{2}$ " BSP. Straight	1
<b>TRAILING BOARD ADJUSTMENT ASSEMBLY</b>							
414	300482	Bracket	4				
415	S. 1406100	Setscrew $\frac{1}{2}$ " UNC. x $1\frac{1}{4}$ " long, Hex. Head	12				
416	S. 8061140	Spring Washer $\frac{3}{8}$ " dia.	12				
417	300375	Lever	4				
418	S. 8081610	Flat Washer $\frac{1}{2}$ " dia.	4				
419	300142	Adjusting Stop	4				
420	300469	Trunnion	4				
421	300466	Pivot Bolt	8				
422	300464	Clevis—L.H.	2				
423	300483	Clevis—R.H.	2				
424	S. 1108140	Bolt $\frac{1}{2}$ " UNF. x $1\frac{1}{4}$ " long	8				
425	300484	Special Washer	8				
426	S. 7108020	Locknut $\frac{1}{2}$ " UNF.	8				
427	300458	Spring Bar	4				
428	300457	Spring	4				
429	S. 7110130	Philidas Nut $\frac{3}{8}$ " UNF., Type QJFP/1	4				
430	—437	not allocated					
<b>ROTOR ASSEMBLY</b>							
438	300149	Rotor—130" Model	1	470	300812	Frame	1
439	301022	Rotor—100" Model	1	471	300830	R.H. Mounting Arm	1
439	300151	Shim .064"	As req'd.	472	300836	L.H. Mounting Arm	1
439	300152	Shim .036"	As req'd.	473	300843	Top Pivot Pin	2
440	300229	Shearing Blade R.H.	1	474	B. 8012100	Tension Pin $\frac{5}{16}$ " dia. x 2" long	2
441	300228	Shearing Blade L.H.	1	475	300841	Mounting Pin	2
				476	50934	Clip Pin	2
				477	60495	Clip Ring	2
				478	3913	Chain	2
				479	300310	Hook	2
442	67556	Blade Bolt	100" 130"	300838		Swivel Tow Hitch Assembly comprising:—	1
443	S. 8101730	Shakeproof Washer $\frac{3}{8}$ " dia. Internal	124	480	B. 8010300	Splitpin $\frac{5}{16}$ " dia. x $1\frac{1}{4}$ " long	1
444	67557	High Nut	124	481	2635	Nut	1
	*9919	Universal Blade L.H.	124	482	23368	Washer	1
	9920	Universal Blade R.H.	30	483	300840	Bearing Housing	1
	*9908	Long Shank Blade L.H.	30		S. 7.210010	Nut $\frac{3}{8}$ " UNC.	8
	9909	Long Shank Blade R.H.	30	484	B. 2030020	Grease Nipple $\frac{1}{8}$ " BSP. Tecalectmit NA.5704	1
	*9910	Long Shank Blade L.H.	30	485	S. 1108340	Bolt $\frac{1}{2}$ " UNF. x $4\frac{1}{2}$ " long	4
	9911	Long Shank Blade R.H.	30		S. 1210380	Bolt $\frac{3}{8}$ " UNC. x $4\frac{1}{2}$ " long	8
	*9950	Speed Blade L.H.	30		S. 8101740	Spring Washer $\frac{3}{8}$ " dia.	4
	9951	Speed Blade R.H.	30	486	S. 8081610	Flat Washer $\frac{1}{2}$ " dia.	4
	*=Alternatives			487	S. 7108090	Nut $\frac{1}{2}$ " UNF. 'Gripco'	4
447	50	not allocated		488	23367	Collar	1
				489	300839	Tow Eye	1



CONVERTO FRAME

